

COOPER LIGHTING - METALUX®

DESCRIPTION

The Ovation Series is a complete family of recessed direct/indirect luminaires featuring pleasant modern architectural styling, computer-designed optics and the latest energy efficient lamp and ballast technology. The luminaire combines a matte white indirect reflector and a perforated direct lamp shield to provide optimum brightness control. All components are located above the ceiling plane for a clean architectural appearance in the finished space. Carefully balanced design elements combine to provide an efficient and exciting, high performance alternative to traditional general lighting. Ovation is an excellent choice for a wide variety of commercial applications.

SPECIFICATION FEATURES

A ... Construction

Nominal 6" deep housing is die formed of code gauge, prime cold rolled steel. Heavy gauge end plates are securely attached with screws for strength and rigidity and the elimination of gaps. Four auxiliary fixture end suspension points are provided. KOs for continuous row wiring. Large access plate for supply connection.

B ... Electrical*

Ballasts are CBM/ETL Class "P" and are positively secured. Biax models use 2G11 base lampholders with double edge wiping action pressure lock contacts and

vertically oriented lamp support clips. T8 models use rotor-lock lampholders for positive lamp retention. UL/CUL listed. Suitable for damp locations.

C ... Ballast Access

Ballast can be removed from below without tools or from above using the unique ballast mounting/access plate.(3)

D ... Finish

Durable cold rolled steel with multistage, iron phosphate pretreatment and white enamel finish to ensure maximum bonding and rust inhibition.

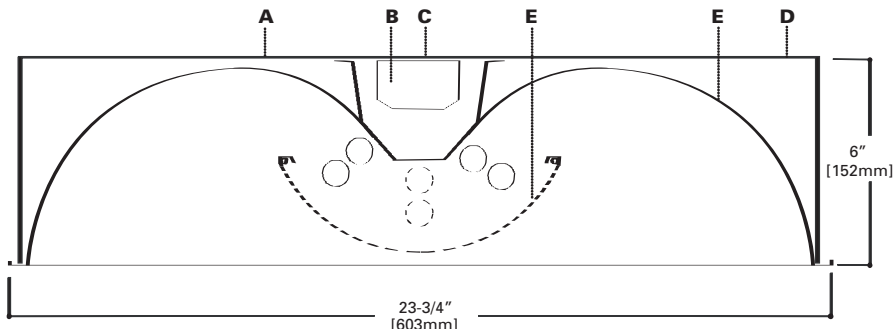
E ... Reflectors

Indirect reflector has high reflectance baked matte white enamel finish for luminous uniformity. A positively retained direct lamp shield is constructed of heavy gauge perforated steel with high reflectance painted after fabrication finish and milky white overlay diffuser for visual comfort. All reflectors are precision formed in a computer-controlled operation.

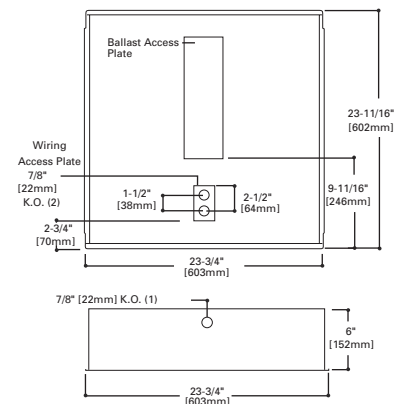


2RDI
1BX40
2BX40
3BX40
117
217
317

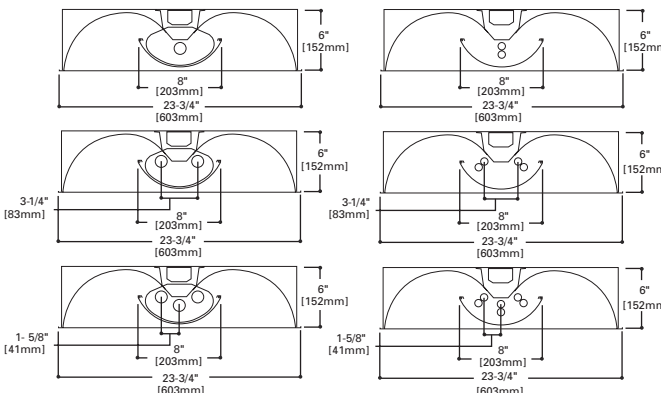
BIAXIAL OR T8 LAMPS
2' X 2' Recessed
Direct/Indirect
Center-Mount



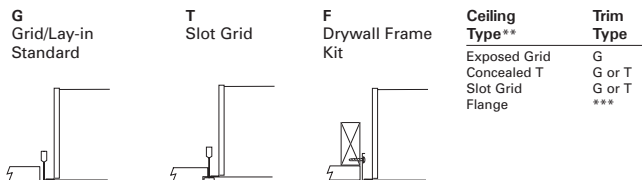
MOUNTING DATA



LAMP CONFIGURATIONS



CEILING COMPATIBILITY



ENERGY DATA

Input Watts:
EB Ballast & STD Lamps
 1BX40 (43), 2BX40 (67)
 3BX40 (102), 1BX50 (54)
 2BX50 (106), 3BX50 (160)
 1BX55 (59), 2BX55 (117)
 3BX55 (176), 117 (19)
 217 (34), 317 (54)
ES Ballast & STD Lamps
 117 (23)
 217 (45)
 317 (68)
STD Ballast & STD Lamps
 1BX40 (46)
 2BX40 (82)
 3BX40 (128)
 Luminaire Efficacy Rating
LER = FL65
Catalog Number: 2RDI-2BX40RP
Yearly Cost of 1000 lumens,
3000 hrs at .08 KWH = \$3.69

*Reference the lamp/ballast data in the Technical Section for specific lamp/ballast requirements.
 **Consult Pre Sales Technical Support.
 ***See Drywall Frame Kit Accessory

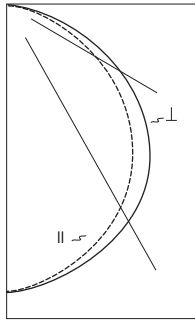
LAMPS CONTAIN MERCURY. DISPOSE ACCORDING TO LOCAL, STATE OR FEDERAL LAWS



Safe and convenient means of disconnecting power



ADFO20601
 08/02/2008 3:21:15 PM



2RDI-2BX40RP
 Electronic Ballast
 F40BX/35K/RS Lamps
 3150 Lumens

Spacing criterion:
 (||) 1.2 x mounting
 height, (⊥) 1.3 x
 mounting height
 Efficiency 78.2%

Test Report:
 2RDI2BX40RP.IES

LER = FL65

Yearly Cost of 1000
 lumens, 3000 hrs at
 .08 KWH = \$3.69

Coefficients of Utilization

rc	Effective floor cavity reflectance																	
	80%		70%		20%													
rw	70	50	30	10	70	50	30	10	50	30	10	50	30	10	50	30	10	0
RCR																		
0	93	93	93	93	91	91	91	91	87	87	87	83	83	83	80	80	80	78
1	86	82	79	76	84	81	78	75	77	75	73	74	72	71	71	70	69	67
2	79	73	68	63	77	71	66	63	68	64	61	66	63	60	63	61	58	57
3	72	64	58	53	70	63	57	53	61	56	52	59	55	51	57	53	50	49
4	66	57	51	46	64	56	50	45	54	49	45	52	48	44	51	47	43	42
5	60	50	44	38	59	50	43	38	48	42	38	46	41	37	45	41	37	35
6	55	45	38	33	54	44	38	33	43	37	33	42	36	33	40	36	32	31
7	51	40	34	29	50	40	33	29	39	33	29	37	32	28	36	32	28	27
8	47	36	30	25	46	36	29	25	35	29	25	34	28	25	33	28	24	23
9	43	32	26	21	42	32	26	21	31	25	21	30	25	21	29	25	21	20
10	40	29	23	19	39	29	23	19	28	23	19	28	22	19	27	22	19	17

Zonal Lumen Summary

Zone	Lumens	%Lamp	%Fixture
0-30	1339	21.2	27.2
0-40	2205	35.0	44.8
0-60	3932	62.4	79.8
0-90	4926	78.2	100.0
0-180	4926	78.2	100.0

Typical VCP Percentages

Room Size (Ft.)	Height Along		Height Across	
	8.5'	10.0'	8.5'	10.0'
20 x 20	48	54	41	48
30 x 30	44	46	38	40
30 x 60	43	43	35	35
60 x 30	47	48	43	45
60 x 60	44	44	38	38

Candela

Angle	Along	45°	Across ⊥
0	1701	1701	1701
5	1701	1698	1700
10	1677	1682	1689
15	1634	1648	1665
20	1574	1599	1631
25	1497	1539	1587
30	1406	1468	1533
35	1301	1386	1465
40	1182	1292	1381
45	1052	1186	1282
50	912	1067	1167
55	762	933	1029
60	610	792	867
65	465	637	683
70	334	466	520
75	217	305	362
80	119	176	205
85	48	66	72
90	0	0	0

ORDERING INFORMATION

Sample Number: 2RDI-2BX40RP-120V-EB51-U

<p>Width 2- 2' Width</p> <p>Series RDI: Ovation Series (Recessed Direct/Indirect)</p> <p>Trim Type = Grid/Lay-in (Standard)</p> <p>Lamp Position = Center Mounted Lamps (Standard)</p>	<p>Number of Lamps 1- 1 Lamp 2- 2 Lamps 3- 3 Lamps</p> <p>Wattage 17- 17W T8 (24") BX40- 40W Biax (24") BX50- 50W Biax (24")¹ BX55- 55W Biax (24")¹</p>	<p>Lamp Shield X- Solid Matte White RP- Round Perforated White Steel</p> <p>Voltage² 120V- 120 Volt 277V- 277 Volt 347V- 347 Volt UNV- Universal Voltage 120-277</p> <p>Options GL- Single Element Fuse GM- Double Element Fuse Lamps- Lamps Installed Flex- Flex Installed Emergency- EM Installed</p>	<p>Ballast Type² = Standard Magnetic Biax Ballast EB- Electronic Instant Start ER- T8 Electronic Program Rapid Start. Total Harmonic Distortion < 10% TEB- Electronic Instant Start. Total Harmonic Distortion < 10% DLS- Digital Lighting System Dimming</p> <p>Lamp Size 5- T5 Biax 8- T8</p> <p>Number of Ballasts 1- 1 Ballast 2- 2 Ballast 3- 3 Ballast</p>	<p>Options /PLUS- Higher Ballast Factor > 1.13. Total Harmonic Distortion < 20% RLS- Rotor Lock Socket (T8 Lamp only) RIF1- Radio Interference Suppressor REP- Riveted End Plates LSC- Lamp Shield Cable ST- Semi-Specular Tannenbaum</p>	<p>Packaging U- Unit Pack PALC- Palletized Fixtures in Carton</p>
--	---	---	--	--	--

Notes: 1 2' x 2' and 2' x 4' Center Lamp Shield model only.
 2 Products also available in non-US voltage and frequencies for international markets

ACCESSORIES

EQ = T-BAR Safety Earthquake Clips (Use Four Per Fixture)
 DF-22-W = Drywall Frame Kit

SHIPPING INFORMATION

Catalog No.	Wt.
2RDI-1BX40RP	19 lbs.
2RDI-2BX40RP	19 lbs.
2RDI-3BX40RP	19 lbs.
2RDI-117RP	19.5 lbs.
2RDI-217RP	19.5 lbs.
2RDI-317RP	19.5 lbs.